

Cheviot

PRODUCTS INC

Model # 2224

INSTRUCTIONS

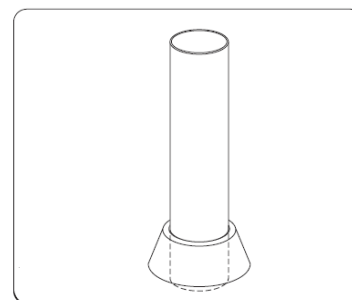
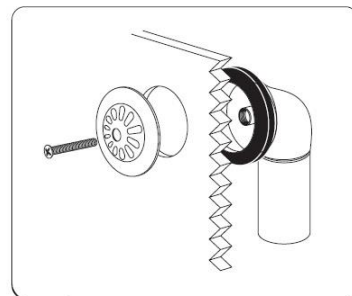
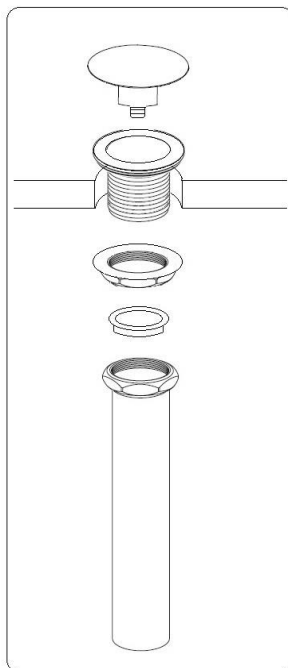
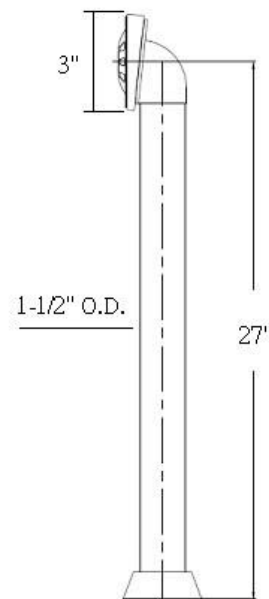
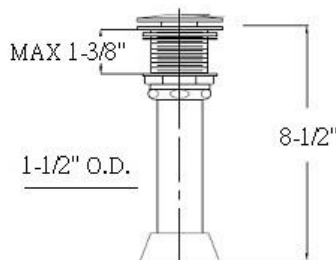
1. Mount overflow drain pipe to back side of tub. Use the thick washer to prevent any water leakage.

Fasten the overflow grid to inside wall of the tub by lining the hole up with the threads and screw down until tight.

2. Loosen the drain cap and pop up mechanism. Install the drain grid with washer through the top of the drain hole. Screw down with lock nut until tight. Connect the bottom tail pipe with washer and lock nut.

3. After all components are installed place the base flange over the bottom pipe before connecting to the waste plumbing line.

Connect the waste and overflow to plumbing lines in the floor. Check for any leakage in the assembly.



CARE AND MAINTENANCE

Minimum Maintenance is required to maintain product finish. With proper maintenance your CHEVIOT Faucet will continually look like new. Special care should be taken when cleaning your faucet and the following suggestions should help extend your faucet life.

- Cleaning should be done regularly using a soft cotton cloth and warm water, then towel dry.
- Do not use cleaners that contain abrasives or harsh chemicals; Care should be taken in selecting cleaning supplies. Many cleaners contain detergents, ammonia, or other corrosive solvents that could damage your faucet finish.
- occasionally clean with a non-abrasive wax polish.

Tel : (800)-444-5969

www.cheviotproducts.com