



#1901-WH Shown

Adria Kitchen Sink

#1900-WH | 30" x 19" x 10"

Cheviot kitchen sinks are crafted from pressure cast fireclay for paralleled density and durability. Thanks to a high-tech glazing technology, the sinks are resistant to chipping due to sudden heat changes and impacts, and inhibit harmful bacteria growth by 99.9%. Cheviot kitchen sinks are a true luxury upgrade to any home.

Construction

Pressure Cast Fireclay
Hygiene Glaze

Drillings

No Faucet Hole

Colours

Gloss White, Matte Black

Note

Rough-in dimensions may vary +/- 1/2" and are subject to change. No responsibility is assumed by Cheviot Products Inc. One Year Limited Warranty against manufacturer's defects

Product Details

- Minimum Base Cabinet: 33"
- Standard 3.5" Drain Outlet
- 77.2 lbs.
- Stainless Steel Grid with Bumpers Included
- Strainer Included

Features

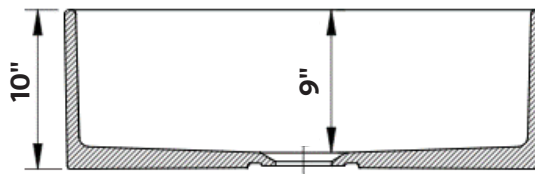
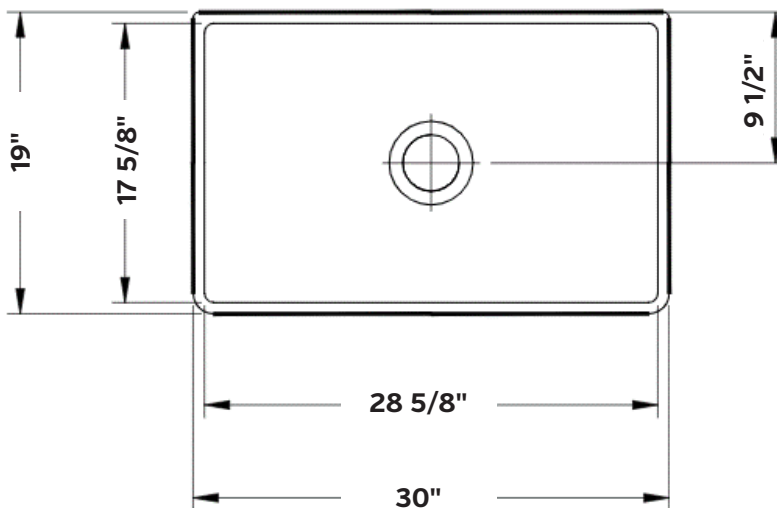
- Resistant to chipping due to sudden heat changes and impacts due to high-tenacity glaze.
- Hygiene glaze inhibits growth of harmful bacteria by 99.9%.
- Compatible with Garbage Disposals.

Installation

- Installation Manual Included
- Apron Front: Install either under counter or counter surface level
- Reversible Installation: Install with either rounded or straight edges out
- Compatible with Garbage Disposal Installations

Codes/Standards

- ASME A112.19.2-2018/CSA B45.1-18
- Tested for Prop65 and FDA.



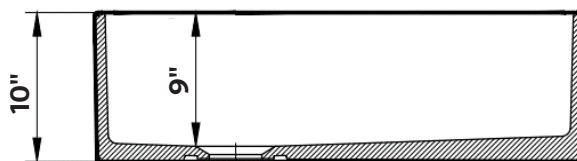
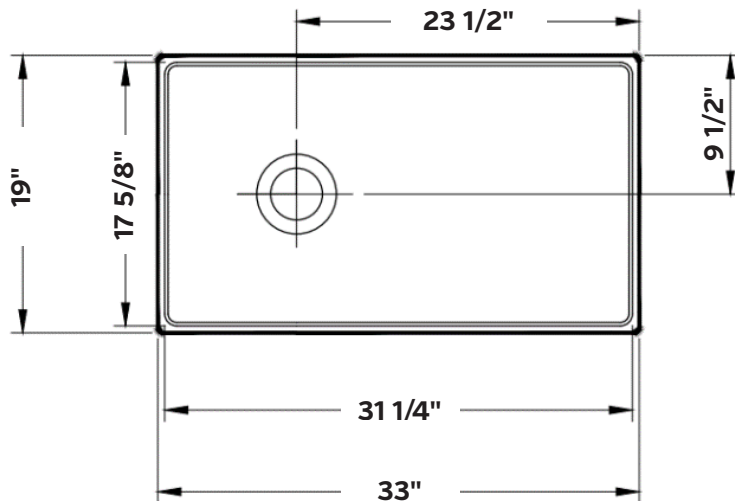


Adria Kitchen Sink

#1901-WH | 33" x 19" x 10"

Cheviot kitchen sinks are crafted from pressure cast fireclay for paralleled density and durability. Thanks to a high-tech glazing technology, the sinks are resistant to chipping due to sudden heat changes and impacts, and inhibit harmful bacteria growth by 99.9%. Cheviot kitchen sinks are a true luxury upgrade to any home.

#1901-WH Shown



Construction

Pressure Cast Fireclay
Hygiene Glaze

Drillings

No Faucet Hole

Colours

Gloss White, Matte Black

Note

Rough-in dimensions may vary +/- 1/2" and are subject to change. No responsibility is assumed by Cheviot Products Inc. One Year Limited Warranty against manufacturer's defects.

Product Details

- Minimum Base Cabinet: 36"
- Standard 3.5" Drain Outlet
- 77.2 lbs.
- Stainless Steel Grid with Bumpers Included
- Strainer Included

Features

- Resistant to chipping due to sudden heat changes and impacts due to high-tenacity glaze.
- Hygiene glaze inhibits growth of harmful bacteria by 99.9%.
- Compatible with Garbage Disposals.

Installation

- Installation Manual Included
- Apron Front: Install either under counter or counter surface level
- Reversible Installation: Install with either rounded or straight edges out
- Compatible with Garbage Disposal Installations

Codes/Standards

- ASME A112.19.2-2018/CSA B45.1-18
- Tested for Prop65 and FDA.

