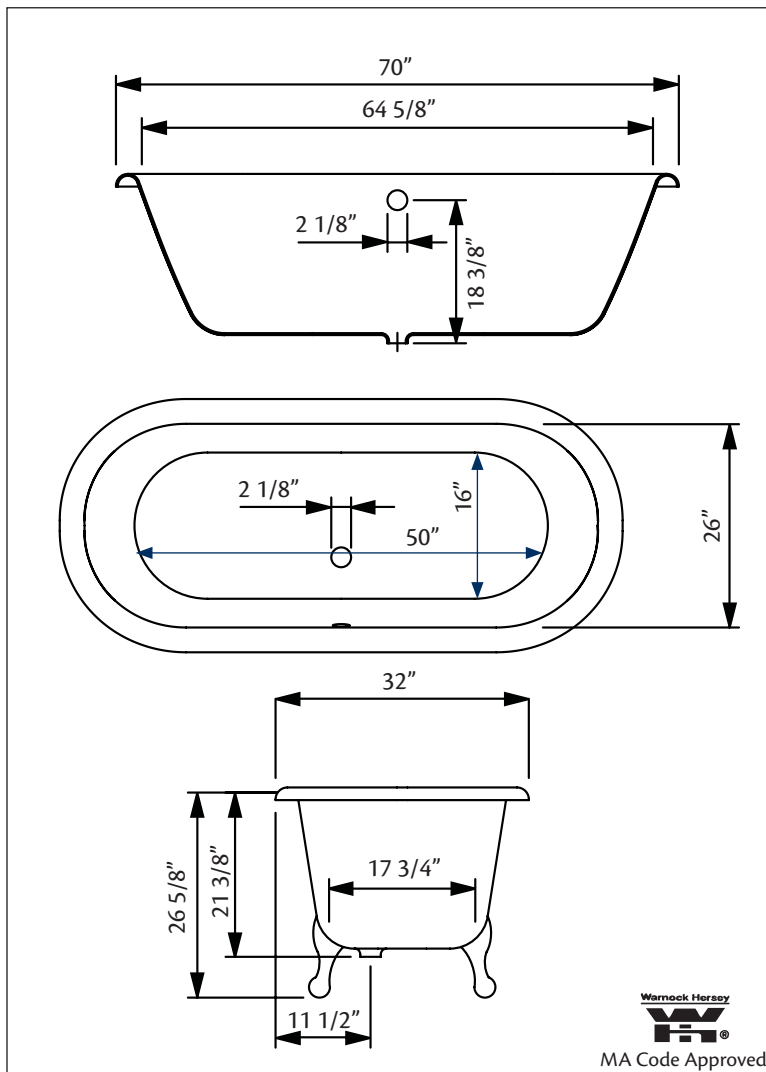


2160 CARLTON Cast Iron Bath with flat area on rim

Cheviot Products' cast iron bathtubs are handmade in Europe with the finest materials. Fired with a thick coating of AA grade titanium-based enamel for unparalleled hardness and non-porosity, the extremely durable surface is easy to clean and resistant to stains, bacteria, and other microbes. Cast iron also keeps your bath warm for the longest possible time.



Model 2161 Shown



70" x 32" Wide x 26" Tall

302 lbs, 63 gallons

Colours: White, Custom Colour Exterior

Feet: Brass Plated, Brushed Nickel, Chrome Plated, Polished Nickel, White Coated, Antique Bronze

Related Products:



5127 Tub Filler With Hand Shower



5106 Tub Filler With Hand Shower



3411 Water Supply Lines

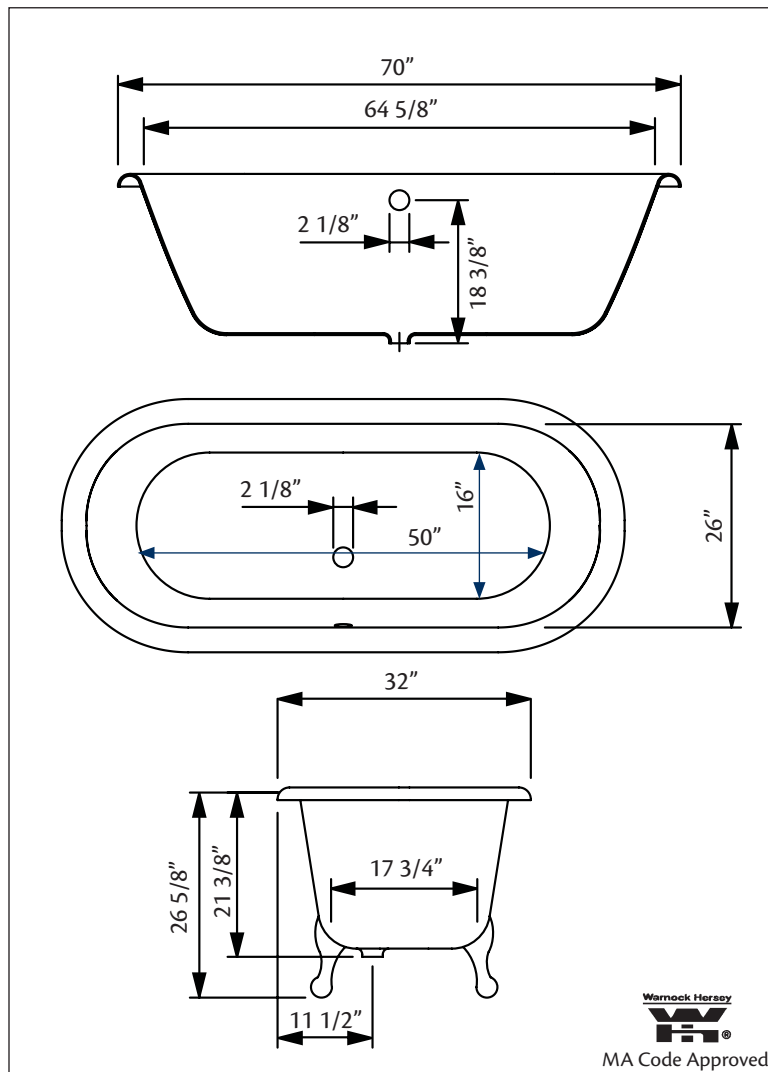


2222 Waste & Overflow

Note: Rough-in dimensions may vary +/- 1/2" and are subject to change. No responsibility is assumed by Cheviot Products Inc. One Year Limited Warranty against manufacturer's defects.

2161 CARLTON Cast Iron Bath with continuous rolled rim

Cheviot Products' cast iron bathtubs are handmade in Europe with the finest materials. Fired with a thick coating of AA grade titanium-based enamel for unparalleled hardness and non-porosity, the extremely durable surface is easy to clean and resistant to stains, bacteria, and other microbes. Cast iron also keeps your bath warm for the longest possible time.



70" x 32" Wide x 26" Tall

302 lbs, 63 gallons

Colours: White, Custom Colour Exterior

Feet: Brass Plated, Brushed Nickel, Chrome Plated, Polished Nickel, White Coated, Antique Bronze

Related Products:



**5115LEV Tub Filler
With Hand Shower**



**5100 Tub Filler
With Hand Shower**



**3970XL Heavy Duty
Water Supply Lines**



**2222 Waste &
Overflow**

Note: Rough-in dimensions may vary +/- 1/2" and are subject to change. No responsibility is assumed by Cheviot Products Inc. One Year Limited Warranty against manufacturer's defects.