



#2163 Shown

Sandringham Cast Iron Bath

#2162 | 70 1/8" L x 31 1/2" W x 23" H
401 lbs, 63 Gallons

Cheviot Products' cast iron bathtubs are handmade in Europe with the finest materials. Fired with a thick coating of AA grade titanium-based enamel for unparalleled hardness and non-porosity, the extremely durable surface is easy to clean and resistant to stains, bacteria and other microbes. Cast iron also keeps your bath warm for the longest possible time.

Rim Configuration

Flat Area for Faucet holes. Please specify c.c. measurement.

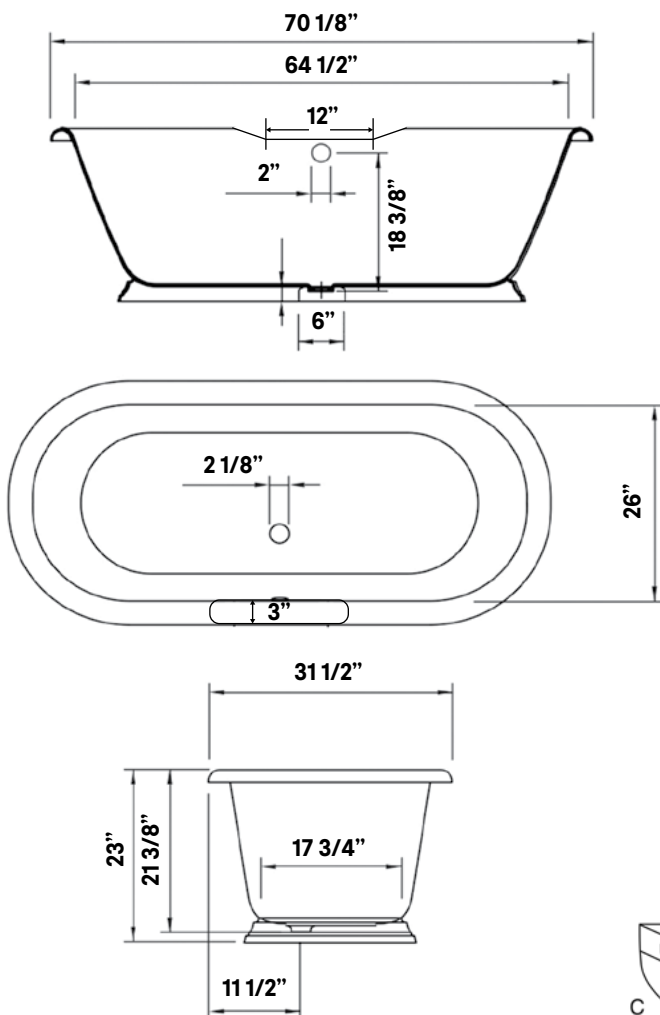
Colours

White Interior & Exterior
White Interior & Custom Colour Exterior

Note

Rough-in dimensions may vary +/- 1/2" and are subject to change. No responsibility is assumed by Cheviot Products Inc. One Year Limited Warranty against manufacturer's defects.

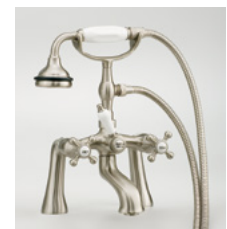
! Please note that this product uses a low profile pedestal with reduced clearance below the drain. Horizontal waste tube will be approximately 3/4" below finished floor level. Floor must be channeled to accommodate drain.



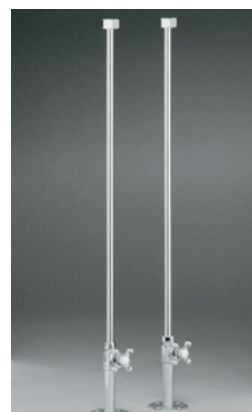
Related Products



#5127 Tub Filler
with Hand Shower



#5106 Tub Filler
with Hand Shower



#3411 Water
Supply Lines



#2222 Waste &
Overflow



Sandringham Cast Iron Bath

#2163 | 70 1/8" L x 31 1/2" W x 23" H
401 lbs, 63 Gallons

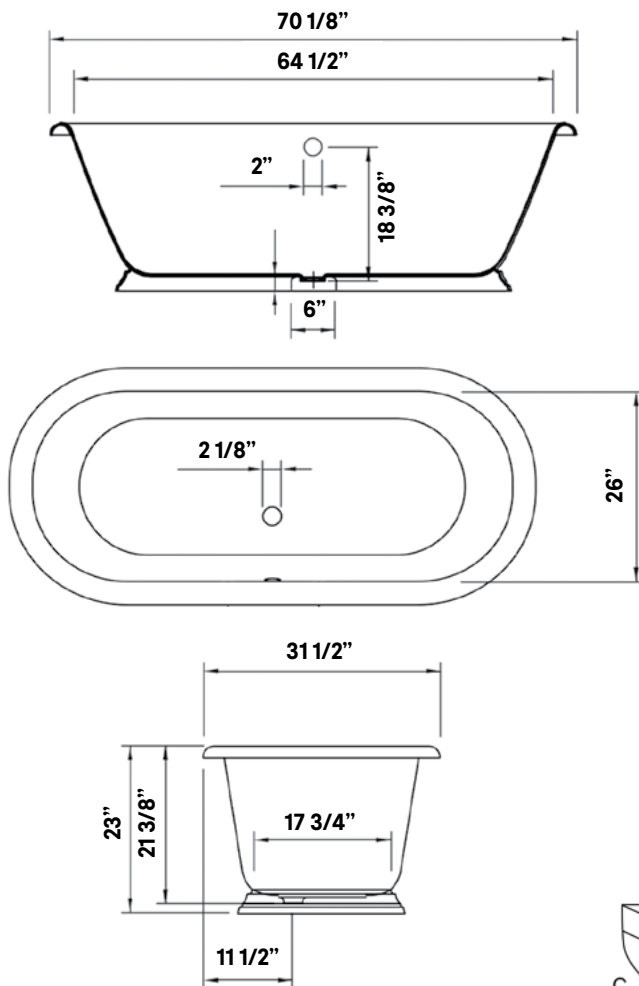
Cheviot Products' cast iron bathtubs are handmade in Europe with the finest materials. Fired with a thick coating of AA grade titanium-based enamel for unparalleled hardness and non-porosity, the extremely durable surface is easy to clean and resistant to stains, bacteria and other microbes. Cast iron also keeps your bath warm for the longest possible time.

Rim Configuration
Continuous Rolled Rim

Colours
White Interior & Exterior
White Interior & Custom
Colour Exterior

Note
Rough-in dimensions may vary +/- 1/2" and are subject to change. No responsibility is assumed by Cheviot Products Inc. One Year Limited Warranty against manufacturer's defects.

! Please note that this product uses a low profile pedestal with reduced clearance below the drain. Horizontal waste tube will be approximately 3/4" below finished floor level. Floor must be channeled to accommodate drain.



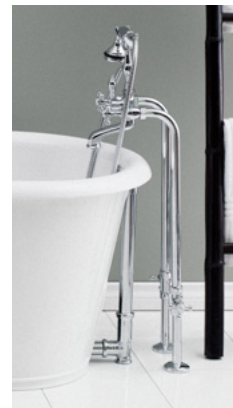
Related Products



#7550 Contemporary
Free-Standing Tub Filler with
Hand Shower



#2222 Waste &
Overflow



#3970 Heavy Duty
Water Supply Lines



#3980 Heavy Duty
Water Supply Lines