

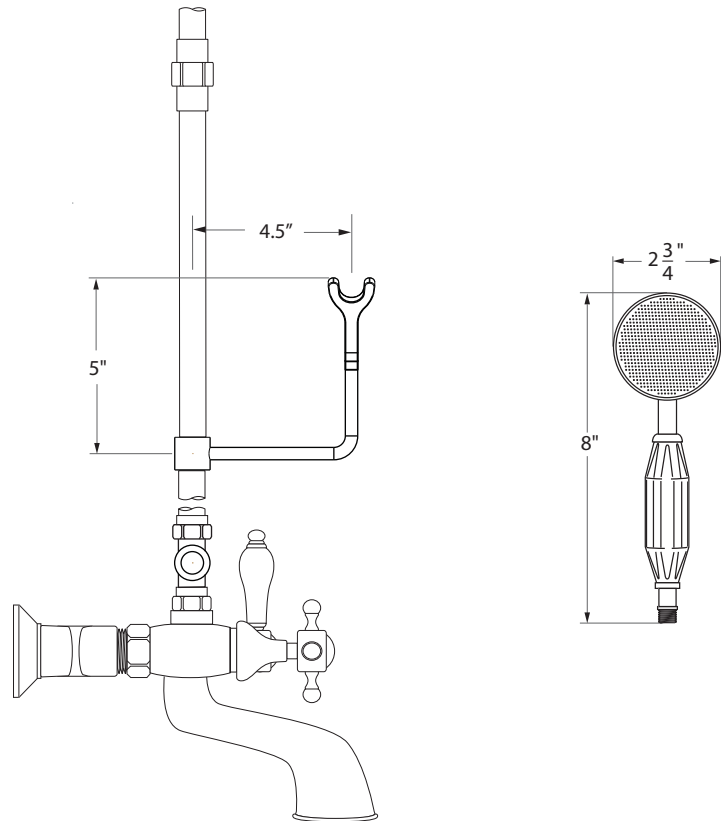
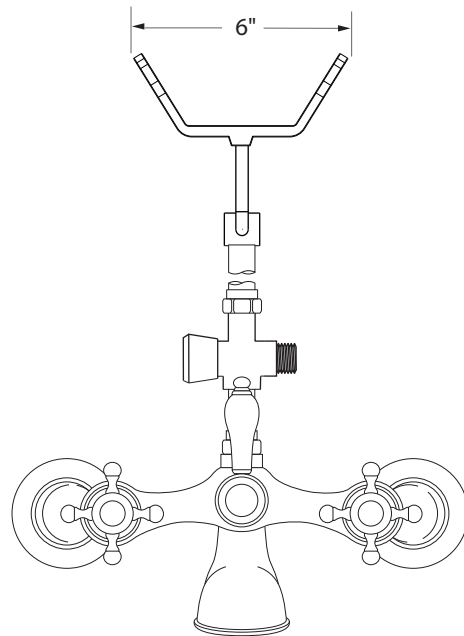


## Model # 3200



### INSTRUCTIONS

1. Remove the lower part of the shower riser tube and slide the hand shower cradle on to the riser tube.
2. Attach lower part of the shower riser tube to the add on diverter mechanism.
3. Connect lower portion of the riser tube with upper portion of the riser tube.
4. Connect diverter mechanism with faucet.
5. Adjust hand shower cradle to desired height and tighten by hex wrench supplied.
6. Attached shower hose and hand shower to diverter mechanism.



### CARE AND MAINTENANCE

Minimum Maintenance is required to maintain product finish. With proper maintenance your CHEVIOT Faucet will continually look like new. Special care should be taken when cleaning your faucet and the following suggestions should help extend your faucet life.

- a) Cleaning should be done regularly using a soft cotton cloth and warm water, then towel dry.
- b) Do not use cleaners that contain abrasives or harsh chemicals; Care should be taken in selecting cleaning supplies. Many cleaners contain detergents, ammonia, or other corrosive solvents that could damage your faucet finish.
- c) occasionally clean with a non-abrasive wax polish.